

**CLAMP MFG. CO.  
SITE DIRECTORY**

**[Top Page](#)**

**[Kant-Twist](#)**

- [Standard 'T' Handles](#)
- [Deep Throat Jaw](#)
- [Round Handles](#)
- ['No Mar' Clamps](#)
- [Stainless Steel](#)
- [3-Jaw Clamps](#)
- [Hold Down](#)
- [Polyurethane Jaws](#)
- [Weaver Handles](#)
- [Specifications Sheet](#)



**STANDARD "T" HANDLE CLAMPS**

**[No-Mar Hammers](#)**

- [Plastic Screw-On Tip](#)
- [No-Bounce Safety](#)
- [Brass Safety](#)
- [Copper Safety](#)
- [Lead](#)
- [Press-On Tip](#)
- [Frugg Dual Purpose](#)

**[Other Items](#)**

- [Hex Wrenches](#)

**[About Us](#)**

**[Kant-Twist in Action](#)**

**[Feedback](#)**

Standard "T" Handles	
P/N	Size
401	1"
405	2"
410	3"
420	6"
430	9"
440	12"

- Multi-purpose clamps combine the best features of ordinary "C" and parallel clamps.
- Free-floating jaws adjust to un-parallel surfaces.
- Will not "walk off-center" when pressure is applied against jaw, because there is no unsupported screw or loose pad.
- All clamps are of rugged construction.
- Provides new freedom of movement. Eliminates distorting and twisting action of conventional clamps. Plus, it provides three different gripping surfaces.
- Copper plated jaws and screws are ideal for welding.
- Kant-Twist clamps weigh approximately half as much as comparable "C" clamps.
- ALL CLAMPS CLOSE COMPLETELY.

**CLAMP MFG. CO.  
SITE DIRECTORY**

[Top Page](#)

**[Kant-Twist](#)**

- [Standard 'T' Handles](#)
- [Deep Throat Jaw](#)
- [Round Handles](#)
- ['No Mar' Clamps](#)
- [Stainless Steel](#)
- [3-Jaw Clamps](#)
- [Hold Down](#)
- [Polyurethane Jaws](#)
- [Weaver Handles](#)
- [Specifications Sheet](#)

**[No-Mar Hammers](#)**

- [Plastic Screw-On Tip](#)
- [No-Bounce Safety](#)
- [Brass Safety](#)
- [Copper Safety](#)
- [Lead](#)
- [Press-On Tip](#)
- [Frugg Dual Purpose](#)

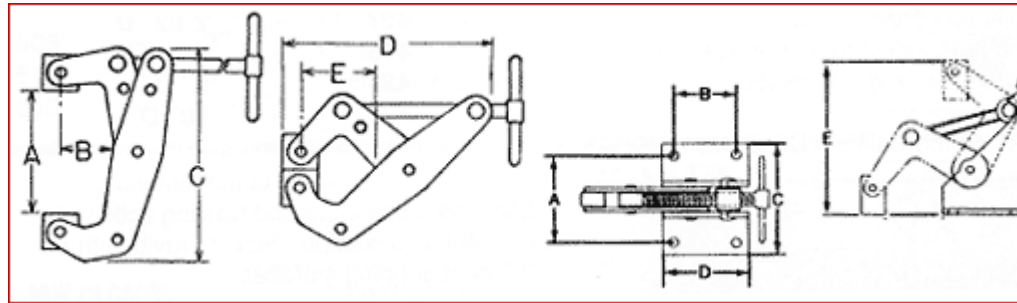
**[Other Items](#)**

- [Hex Wrenches](#)

**[About Us](#)**

**[Kant-Twist in Action](#)**

**[Feedback](#)**



**KANT TWIST CLAMPS  
SPECIFICATIONS SHEET**

P/N	Size & Description	A	B	C	D	E
396	3/4" Round Handle	3/4"	3/8"	1 3/8"	1 1/2"	3/8"
401-1	1" Round Handle	1"	1/2"	1 3/4"	2 1/8"	1/2"
403-1	1 1/2" Round Handle	1 1/2"	1 1/8"	3"	3 1/16"	1"
405-1	2" Round Handle	2"	1 1/8"	3 1/4"	3 1/2"	1 1/4"
401	1" "T" Handle	1"	1/2"	1 3/4"	2 1/8"	1/2"
405	2" "T" Handle	2"	1 1/8"	3 1/4"	3 1/2"	1 1/4"
407	2 1/2" D Deep Throat	2 7/16"	2"	4 1/16"	4 1/8"	1 13/16"
410	3" "T" Handle	3"	1 1/4"	5"	5 1/4"	1 3/4"
415	4 1/2" D Deep Throat	4 1/2"	2 1/4"	6 3/4"	7"	3 13/16"
420	6" "T" Handle	6"	2 1/8"	8 1/4"	8 1/4"	3 3/8"
421	6" D Deep Throat	6"	4 1/2"	10"	11"	5 1/2"
430	9" "T" Handle	9"	3 3/8"	13"	12"	5 1/4"
435	10" D Deep Throat	10"	6"	15"	16"	7"
440	12" "T" Handle	12"	5"	16 1/2"	16 1/2"	7"
421-1	6" D3J 3-Jaw	6"	2 1/8"	8 1/4"	8 1/4"	3 5/8"
415-2	400A Terminal Lug Ground	4 1/2"	2 1/8"	6 3/4"	7"	2 1/2"
401-4	1" Round Jaw Pad "No Mar"	7/8"	1/2"	1 3/4"	2 1/8"	1/2"
405-4	2" Round Jaw Pad "No Mar"	1 3/4"	1 1/8"	3 1/4"	3 1/2"	1 1/4"
410-4	3" Round Jaw Pad "No Mar"	2 3/4"	1 1/4"	5"	5 1/4"	1 3/4"
415-4	4 1/2" D Round Jaw Pad "No Mar"	4 1/4"	2 1/4"	6 3/4"	7"	2 1/2"
505	2" Stainless - 303	2"	1 1/8"	3 1/4"	3 1/2"	1 1/4"
510	2" Stainless - 303	3"	1 1/4"	5"	5 1/4"	1 3/4"
515	4 1/2" D Stainless - 303	4 1/2"	2 1/4"	6 3/4"	7"	2 1/2"
411	3" F No Base Plate	1 9/10"	1 1/2"	2 11/16"	2 1/4"	4"
411-2	3" FT With "T" Slot Base & Bolt	"T" Slot	-	2 11/16"	2 1/4"	4 1/8"
423	6" F No Base Plate	2 9/10"	2 5/8"	3 3/4"	3 3/4"	6 7/8"

**CLAMP MFG. CO.  
SITE DIRECTORY**

**Top Page**

**Kant-Twist**

- [Standard 'T' Handles](#)
- [Deep Throat Jaw](#)
- [Round Handles](#)
- ['No Mar' Clamps](#)
- [Stainless Steel](#)
- [3-Jaw Clamps](#)
- [Hold Down](#)
- [Polyurethane Jaws](#)
- [Weaver Handles](#)
- [Specifications Sheet](#)

**No-Mar Hammers**

- [Plastic Screw-On Tip](#)
- [No-Bounce Safety](#)
- [Brass Safety](#)
- [Copper Safety](#)
- [Lead](#)
- [Press-On Tip](#)
- [Frugg Dual Purpose](#)

**Other Items**

- [Hex Wrenches](#)

**About Us**

**Kant-Twist in Action**

**Feedback**



**DEEP THROAT JAW OPENING CLAMPS**

Deep Throat Clamps allow for a deeper grab on the clamped object(s).

Deep Throat Jaw Clamps	
P/N	Size
407	2 1/2" D
415	4 1/2" D
421	6" D
435	10" D

- Multi-purpose clamps combine the best features of ordinary "C" and parallel clamps.
- Free-floating jaws adjust to un-parallel surfaces. Will not "walk off-center" when pressure is applied against jaw, because there is no unsupported screw or loose pad.
- All clamps are of rugged construction.
- Plates are made of high tensile steel.
- Provides new freedom of movement. Eliminates distorting and twisting action of conventional clamps. Plus, it provides three different gripping surfaces.
- Copper plated jaws and screws are ideal for welding.
- Kant-Twist clamps weigh approximately half as much as comparable "C" clamps.
- ALL CLAMPS CLOSE COMPLETELY.

**CLAMP MFG. CO.  
SITE DIRECTORY**

**[Top Page](#)**

**[Kant-Twist](#)**

- [Standard 'T' Handles](#)
- [Deep Throat Jaw](#)
- [Round Handles](#)
- ['No Mar' Clamps](#)
- [Stainless Steel](#)
- [3-Jaw Clamps](#)
- [Hold Down](#)
- [Polyurethane Jaws](#)
- [Weaver Handles](#)
- [Specifications Sheet](#)



**UNIVERSAL ROUND HANDLE CLAMPS**

**[No-Mar Hammers](#)**

- [Plastic Screw-On Tip](#)
- [No-Bounce Safety](#)
- [Brass Safety](#)
- [Copper Safety](#)
- [Lead](#)
- [Press-On Tip](#)
- [Frugg Dual Purpose](#)

**[Other Items](#)**

- [Hex Wrenches](#)

**[About Us](#)**

**[Kant-Twist in Action](#)**

**[Feedback](#)**

Round Handle Clamps	
P/N	Size
396	3/4"
401-1	1"
403-1	1 1/2"
405-1	2"

- Round handles provide an alternative to standard "T" handles.
- Round handles provide the ability to more finely tighten the clamp pressure.
- Easier to use in some situations.

[Deep Throat Jaw Opening Clamps](#) | [3-Jaw Clamp](#)  
[Universal No-Mar Clamps](#) | [Poly Jaw No-Mar Clamps](#)  
[Quick Acting Hold Down Clamps](#) | [Round Handle Clamps](#)  
[Stainless Steel Clamps](#) | [Standard "T" Handle Clamps](#)

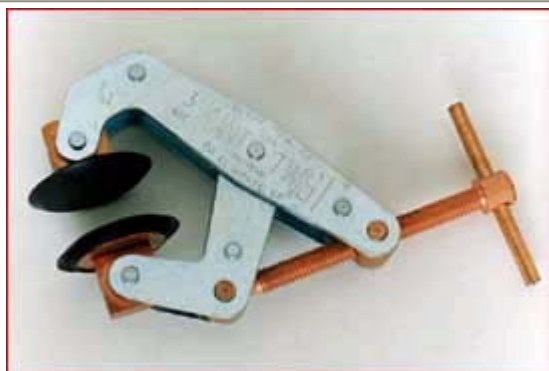
[Return to Kant-Twist Top Page](#)

**CLAMP MFG. CO.  
SITE DIRECTORY**

[Top Page](#)

**[Kant-Twist](#)**

- [Standard 'T' Handles](#)
- [Deep Throat Jaw](#)
- [Round Handles](#)
- ['No Mar' Clamps](#)
- [Stainless Steel](#)
- [3-Jaw Clamps](#)
- [Hold Down](#)
- [Polyurethane Jaws](#)
- [Weaver Handles](#)
- [Specifications Sheet](#)



**UNIVERSAL "NO MAR" CLAMPS**

Round Flat Pads for Soft or Fine Finishes.

All the famous **Kant-Twist** features  
plus large, flat round pads.

Will not dig into soft wood, plastics, aluminum,  
etc.

Superior to "C" clamps.

The **Kant-Twist** design brings the jaws together  
without the turning or twisting of screw-type  
clamps.

**[No-Mar Hammers](#)**

- [Plastic Screw-On Tip](#)
- [No-Bounce Safety](#)
- [Brass Safety](#)
- [Copper Safety](#)
- [Lead](#)
- [Press-On Tip](#)
- [Frugg Dual Purpose](#)

**[Other Items](#)**

- [Hex Wrenches](#)

**[About Us](#)**

**[Kant-Twist in Action](#)**

**[Feedback](#)**

Round Jaw Pads	
P/N	Size
401-4	1"
405-4	2"
410-4	3"
415-4	4 1/2"

[Deep Throat Jaw Opening Clamps](#) | [3-Jaw Clamp](#)  
[Universal No-Mar Clamps](#) | [Poly Jaw No-Mar Clamps](#)  
[Quick Acting Hold Down Clamps](#) | [Round Handle Clamps](#)  
[Stainless Steel Clamps](#) | [Standard "T" Handle Clamps](#)

[Return to Kant-Twist Top Page](#)

**CLAMP MFG. CO.  
SITE DIRECTORY**

**[Top Page](#)**

**[Kant-Twist](#)**

- [Standard 'T' Handles](#)
- [Deep Throat Jaw](#)
- [Round Handles](#)
- ['No Mar' Clamps](#)
- [Stainless Steel](#)
- [3-Jaw Clamps](#)
- [Hold Down](#)
- [Polyurethane Jaws](#)
- [Weaver Handles](#)
- [Specifications Sheet](#)

**[No-Mar Hammers](#)**

- [Plastic Screw-On Tip](#)
- [No-Bounce Safety](#)
- [Brass Safety](#)
- [Copper Safety](#)
- [Lead](#)
- [Press-On Tip](#)
- [Frugg Dual Purpose](#)

**[Other Items](#)**

- [Hex Wrenches](#)

**[About Us](#)**

**[Kant-Twist in Action](#)**

**[Feedback](#)**



**STAINLESS STEEL CLAMPS**

For corrosive and magnetic problem areas.  
Used for grinding work, around magnetic chucks, and  
where  
stainless steel is required.  
Used by chemical manufacturers/platers/US  
Navy/hospitals/oil companies.

<b>300 Series Stainless Steel Clamps</b>	
<b>P/N</b>	<b>Size</b>
505	2"
510	3"
515	4 1/2"

[Deep Throat Jaw Opening Clamps](#) | [3-Jaw Clamp](#)  
[Universal No-Mar Clamps](#) | [Poly Jaw No-Mar Clamps](#)  
[Quick Acting Hold Down Clamps](#) | [Round Handle Clamps](#)  
[Stainless Steel Clamps](#) | [Standard "T" Handle Clamps](#)

[Return to Kant-Twist Top Page](#)

**CLAMP MFG. CO.  
SITE DIRECTORY**

**[Top Page](#)**

**[Kant-Twist](#)**

- [Standard 'T' Handles](#)
- [Deep Throat Jaw](#)
- [Round Handles](#)
- ['No Mar' Clamps](#)
- [Stainless Steel](#)
- [3-Jaw Clamps](#)
- [Hold Down](#)
- [Polyurethane Jaws](#)
- [Weaver Handles](#)
- [Specifications Sheet](#)

**[No-Mar Hammers](#)**

- [Plastic Screw-On Tip](#)
- [No-Bounce Safety](#)
- [Brass Safety](#)
- [Copper Safety](#)
- [Lead](#)
- [Press-On Tip](#)
- [Frugg Dual Purpose](#)

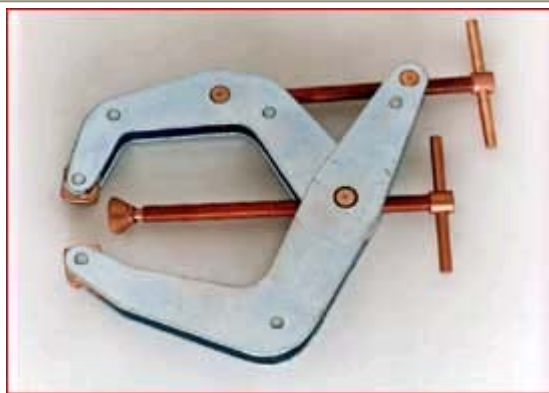
**[Other Items](#)**

- [Hex Wrenches](#)

**[About Us](#)**

**[Kant-Twist in Action](#)**

**[Feedback](#)**



**3-JAW CLAMPS**

Multi-purpose  
A third hand clamp for  
welding/gluing/2-directional pressure

3-Jaw Clamps	
P/N	Size
421-1	6"

- Second screw has a swivel jaw.
- Allows for accurate positioning and location.

[Deep Throat Jaw Opening Clamps](#) | [3-Jaw Clamp](#)  
[Universal No-Mar Clamps](#) | [Poly Jaw No-Mar Clamps](#)  
[Quick Acting Hold Down Clamps](#) | [Round Handle Clamps](#)  
[Stainless Steel Clamps](#) | [Standard "T" Handle Clamps](#)

[Return to Kant-Twist Top Page](#)

**CLAMP MFG. CO.  
SITE DIRECTORY**

[Top Page](#)

**[Kant-Twist](#)**

- [Standard 'T' Handles](#)
- [Deep Throat Jaw](#)
- [Round Handles](#)
- ['No Mar' Clamps](#)
- [Stainless Steel](#)
- [3-Jaw Clamps](#)
- [Hold Down](#)
- [Polyurethane Jaws](#)
- [Weaver Handles](#)
- [Specifications Sheet](#)

**[No-Mar Hammers](#)**

- [Plastic Screw-On Tip](#)
- [No-Bounce Safety](#)
- [Brass Safety](#)
- [Copper Safety](#)
- [Lead](#)
- [Press-On Tip](#)
- [Frugg Dual Purpose](#)

**[Other Items](#)**

- [Hex Wrenches](#)

**[About Us](#)**

**[Kant-Twist in Action](#)**

**[Feedback](#)**



**QUICK ACTING HOLD DOWN CLAMPS**

Best for drill presses and shop machines of every type.

For holding where thickness and surface are not exact from part to part.

Uses: Drill Press/Assembly

Molds/Furniture/Planners/Vertical Turrets/  
Mills/Woodworking/Plastic Tooling/Fixtures of all types.

Quick Acting Clamps	
P/N	Size
411	3" F
411-2	3" FT
423	6" F
423-1	6" FT

[Deep Throat Jaw Opening Clamps](#) | [3-Jaw Clamp](#)  
[Universal No-Mar Clamps](#) | [Poly Jaw No-Mar Clamps](#)  
[Quick Acting Hold Down Clamps](#) | [Round Handle Clamps](#)  
[Stainless Steel Clamps](#) | [Standard "T" Handle Clamps](#)

[Return to Kant-Twist Top Page](#)



**CLAMP MFG. CO.  
SITE DIRECTORY**

[Top Page](#)

**[Kant-Twist](#)**

- [Standard 'T' Handles](#)
- [Deep Throat Jaw](#)
- [Round Handles](#)
- ['No Mar' Clamps](#)
- [Stainless Steel](#)
- [3-Jaw Clamps](#)
- [Hold Down](#)
- [Polyurethane Jaws](#)
- [Weaver Handles](#)
- [Specifications Sheet](#)

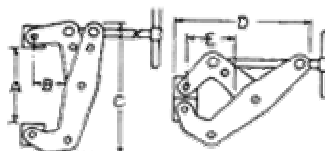


**POLY JAW CLAMPS**

**[No-Mar Hammers](#)**

- [Plastic Screw-On Tip](#)
- [No-Bounce Safety](#)
- [Brass Safety](#)
- [Copper Safety](#)
- [Lead](#)
- [Press-On Tip](#)
- [Frugg Dual Purpose](#)

Non Marring Jaws in the versatile Kant Twist configurations.  
Ideal for holding soft materials.  
Jaws are 65 to 75 on the Shore Hardness D Scale (70D±5)



**[Other Items](#)**

- [Hex Wrenches](#)

**[About Us](#)**

**[Kant-Twist in Action](#)**

**[Feedback](#)**

<b>Poly Jaw Clamp Specifications</b>						
<b>P/N</b>	<b>Size &amp; Type</b>	<b>A</b>	<b>B</b>	<b>C</b>	<b>D</b>	<b>E</b>
410-8	3" "T" Handle	3"	1-1/4"	5"	5-1/4"	1-3/4"
415-8	4-1/2" "D" Deep Throat	4-1/2"	2-1/4"	7"	6-1/2"	3-13/16"
420-8	6" "T" Handle	6"	2-1/8"	8-1/4"	8-1/4"	3-3/8"
421-8	6" "D" Deep Throat	6"	4-1/2"	10"	11"	5-1/2"

[Deep Throat Jaw Opening Clamps](#) | [3-Jaw Clamp](#)  
[Universal No-Mar Clamps](#) | [Poly Jaw No-Mar Clamps](#)  
[Quick Acting Hold Down Clamps](#) | [Round Handle Clamps](#)  
[Stainless Steel Clamps](#) | [Standard "T" Handle Clamps](#)

[Return to Kant-Twist Top Page](#)

**CLAMP MFG. CO.  
SITE DIRECTORY**

[Top Page](#)

**[Kant-Twist](#)**

- [Standard 'T' Handles](#)
- [Deep Throat Jaw](#)
- [Round Handles](#)
- ['No Mar' Clamps](#)
- [Stainless Steel](#)
- [3-Jaw Clamps](#)
- [Hold Down](#)
- [Polyurethane Jaws](#)
- [Weaver Handles](#)
- [Specifications Sheet](#)

**[No-Mar Hammers](#)**

- [Plastic Screw-On Tip](#)
- [No-Bounce Safety](#)
- [Brass Safety](#)
- [Copper Safety](#)
- [Lead](#)
- [Press-On Tip](#)
- [Frugg Dual Purpose](#)

**[Other Items](#)**

- [Hex Wrenches](#)

**[About Us](#)**

**[Kant-Twist in Action](#)**

**[Feedback](#)**



**WEAVER GRIP**

**A HIGH QUALITY HANDLE ACCESSORY**

Makes repetitive use much easier!  
 Apply maximum pressure with less effort!  
 Very durable!.  
 Taps easily on and off!  
 Made from high quality ABS plastic.  
 Comfortable Grip for ease of use.  
 All users should have a set!

PART NO.	SIZE	FOR MODELS	DIA.-A	LENGTH-B
1WG	1	1" KT #401	1/2"	1.5
2WG	2	2" 2-1/2" 2" SS #405 #407 #505	11/16"	2.5
3WG	3	3" 3" F 3" FT 4-1/2" D 3" SS 4-1/2" SS #410 #411 #411-2 #415 #510 #515	7/8"	4.0
6WG	6	6" 6" D 6" F 6" FT #420 #421 #423 #423-1	1-1/8"	5.0

[Back](#)